

# WINE ENTHUSIAST

## Wine Enthusiast Panel Ready Wine Cellars & Beverage Coolers



(Features and Size May Vary)

**PLEASE READ THIS MANUAL CAREFULLY BEFORE INSTALLING AND OPERATING**

# IMPORTANT SAFEGUARDS

**When using this appliance, always exercise basic safety precautions, including the following:**

- 1. Read all of the instructions before using this appliance.**
2. This appliance is not intended for use by persons (including children) with reduced physical, sensory or mental capabilities, or lack of experience and knowledge, unless they have been given supervision or instruction concerning use of the appliance by a person responsible for their safety.
3. Children should be supervised to ensure that they do not play with the appliance.
4. Use this appliance only for its intended purpose as described in this use and care guide.
5. This appliance must be properly installed in accordance with the installation instructions before it is used. See grounding instructions in the installation section.
6. Never unplug your appliance by pulling on the power cord. Always grasp the plug firmly and pull straight out from the outlet.
7. Unplug your appliance before cleaning or before making any repairs. **Note:** If for any reason this product requires service, we strongly recommend that a certified technician performs the service.
8. The SUPPLY CORD cannot be replaced. If the cord is damaged the appliance should be scrapped.
9. This appliance is designed for free standing installation or can be recessed into cabinetry.
10. **DANGER: RISK OF CHILD ENTRAPMENT.** Before you throw away your old appliance, take off the doors. Leave the shelves in place so that children may not easily climb inside.
11. Do not operate your appliance in the presence of explosive fumes.
12. Do not store foods in appliance as interior temperature may not be cool enough to prevent spoilage or may cause bacteria growth.

**WINEENTHUSIAST**

# SAVE THESE INSTRUCTIONS

## DANGER

**Risk of child entrapment.**

**Before you throw away your old appliance, take off the doors.**

**Leave the shelves in place so that children may not easily climb inside.**

Thank you for using our Wine Enthusiast product. This easy-to-use manual will guide you in getting the best use of your appliance.

Please remember to record the model and serial number, they are located inside the cabinet on a label on the bottom right side.

---

Model number

---

Serial number

---

Date of purchase

Staple your receipt to your manual.

**You will need the receipt to obtain warranty service.**

# WINEENTHUSIAST®

# Table of Contents

<b>IMPORTANT SAFEGUARDS</b> .....	2
<b>Appliance Features and Use</b> .....	5
Initial Setup .....	5
Temperature Adjustment .....	6
Shelving (Type and number of shelves will vary per model) .....	6
Charcoal Filter .....	6
<b>Parts and Features</b> .....	7
Installation as a Built-In Cellar .....	8
Reversing the Door Swing .....	8
Instructions for Installing a Custom Panel .....	10
<b>Operating Your Appliance</b> .....	13
Control Panel Display .....	14
Setting the Temperature Control .....	15
Lock or Unlock the Control Panel .....	15
Removing the Rolling Shelf .....	16
Normal Operating Sounds You May Hear .....	17
Technical Data .....	18
<b>Proper Appliance Care and Cleaning</b> .....	19
Troubleshooting .....	20
<b>Limited Warranty</b> .....	22

## Electrical Requirement

- Make sure there is a suitable power Outlet (115 volts, 15 amps outlet) with proper grounding to power the appliance.
- Avoid the use of three plug adapters or cutting off the third grounding in order to accommodate a two-plug outlet. This is a dangerous practice since it provides no effective grounding for the appliance and may result in shock hazard.

## Install Limitations

- Do not install your appliance in any location not properly insulated or heated e.g. garage etc. Your appliance was not designed to operate in temperature settings below 60° Fahrenheit.
- Select a suitable location for the appliance on a hard even surface away from direct sunlight or heat source (e.g. radiators, baseboard heaters, cooking appliances etc.). Any floor unevenness should be corrected with the leveling legs located on the front and rear bottom corners of the appliance.
- This appliance is designed for free standing installation or can be recessed into cabinetry.

## Use of Extension Cords

- Avoid the use of an extension cord because of potential safety hazards under certain conditions. If it is necessary to use an extension cord, use only a 3-wire extension cord that has a 3-blade grounding plug and a 3-slot outlet that will accept the plug. The marked rating of the extension cord must be equal to or greater than the electrical rating of the appliance.

## Appliance Features and Use

### Initial Setup

- **Before connecting the appliance to the power source, let it stand upright for approximately 24 hours.** This will reduce the possibility of a malfunction in the cooling system from handling during transportation.

**WINEENTHUSIAST**

- Once you have plugged the unit into an electrical outlet, let the unit run for at least 30 minutes to acclimate before making any adjustments.

## Temperature Adjustment

- When the appliance is plugged in for the first time, the LED display will show the factory preset temperature of 50°F.
- The appliance can be set to accommodate your wine storage requirements. To set the temperature, press the up or down arrow button to increase or decrease the temperature setting until the desired temperature is attained. It may take some time to reach the set temperature.
- The temperature will fluctuate more so when the appliance is empty.

## Shelving (**Type and number of shelves will vary per model**)

Your cabinet was designed to store a maximum number of bottles securely. We recommend that you observe the tips below to optimize loading:

- Remove tape from shelves once unit is stable and ready for bottle storage.
- Disperse the bottles evenly to avoid concentrating weight in one place. Bottles must not touch either the back of the cabinet or the step at the bottom. While your appliance was designed to hold large format bottles, such as Pinot Noir and Champagne, larger bottles reduce the number of bottles you can fit on a shelf.
- Make sure that the bottles are not all grouped together either at the top or bottom of the cabinet.
- Only pull out one shelf at a time, never attempt to pull out more than one.
- **Maximum weight capacity per shelf is 55 lbs.**
- All shelves are full size steel with low profile scalloping to accommodate varying bottle sizes except the shallow bottom wire shelf.

## Charcoal Filter

Charcoal air filters ensure the natural ventilation and humidity control that encourages wine to mature properly free from damaging odors.

We recommend you replace your filter every year, order part # 268 03 98 99 at [WineEnthusiast.Com](http://WineEnthusiast.Com).

# WINEENTHUSIAST®

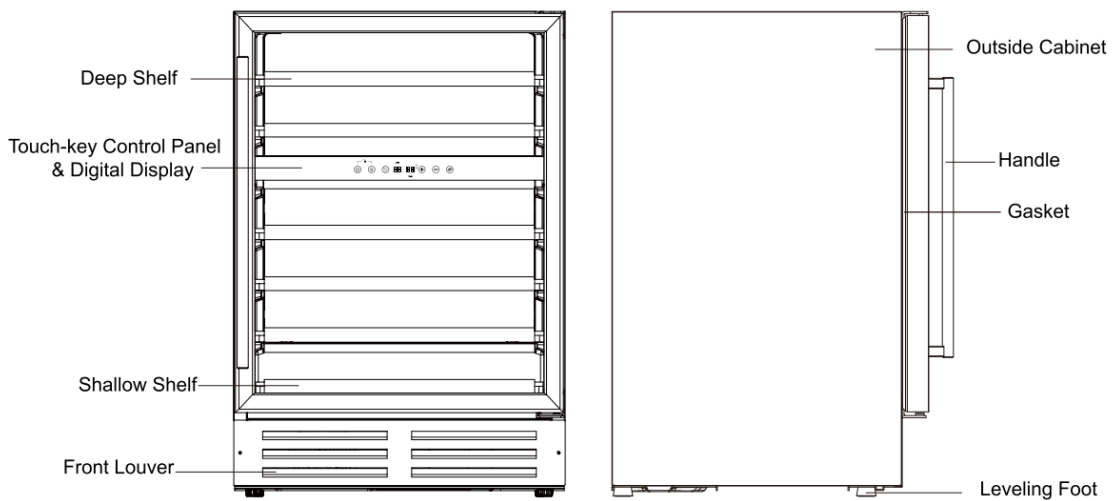
## Replacing the Charcoal Filter

Located on the back wall of your appliance, Turn counterclockwise to unlock, then remove. Replace with a new filter and turn clockwise to lock in place.

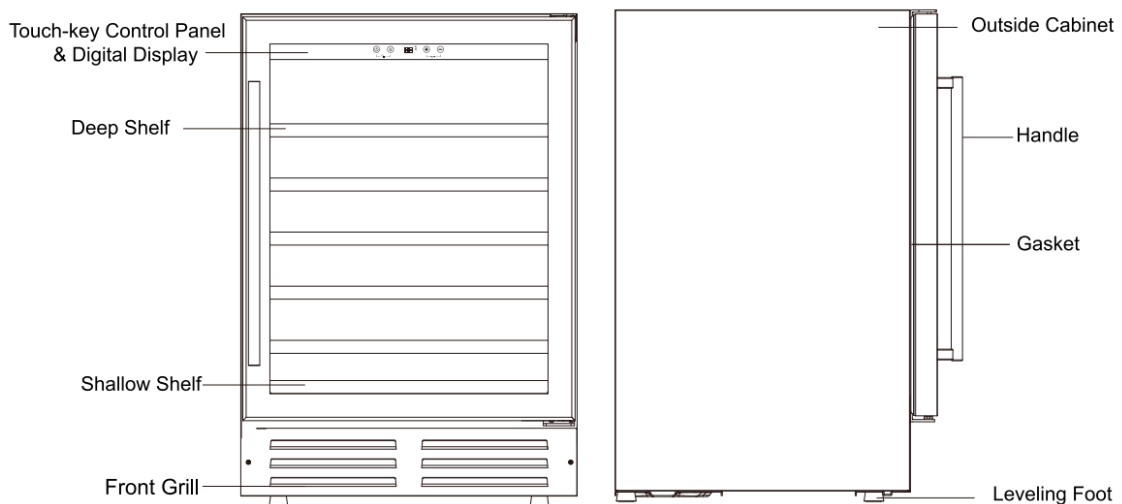


## Parts and Features

### Dual Zone



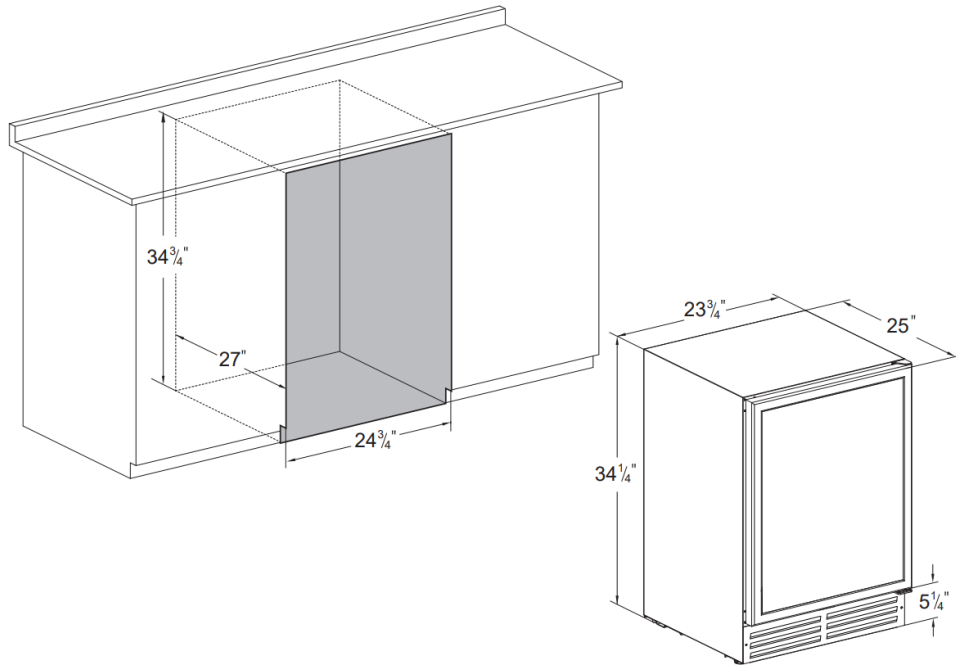
### Single Zone



**WINEENTHUSIAST**

## Installation as a Built-In Cellar

These cut out dimensions show the minimum space required for your appliance to perform as designed.

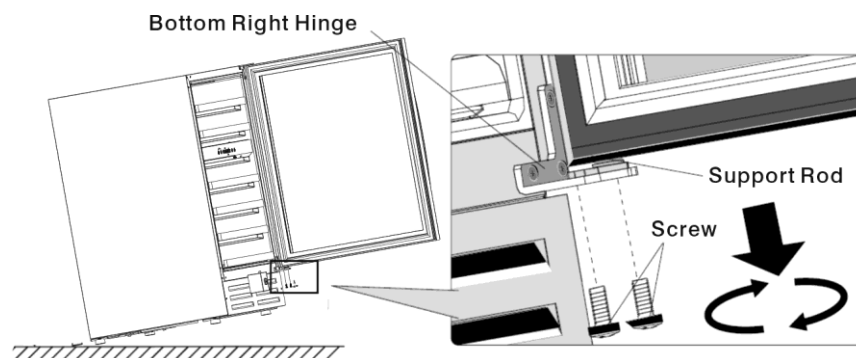


## Reversing the Door Swing

**Before you begin: Tape down shelves to avoid movement during the process**

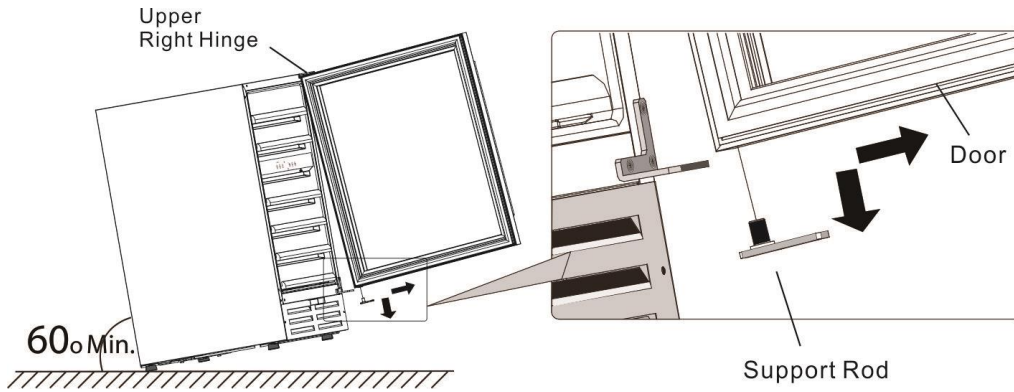
The door of this appliance can be hung to open on the left or right side. To reverse the door swing of your cooler and open from the opposite side, please follow the instructions and diagram below.

1. Open the door and loosen the screws from the support rod of the bottom hinge.



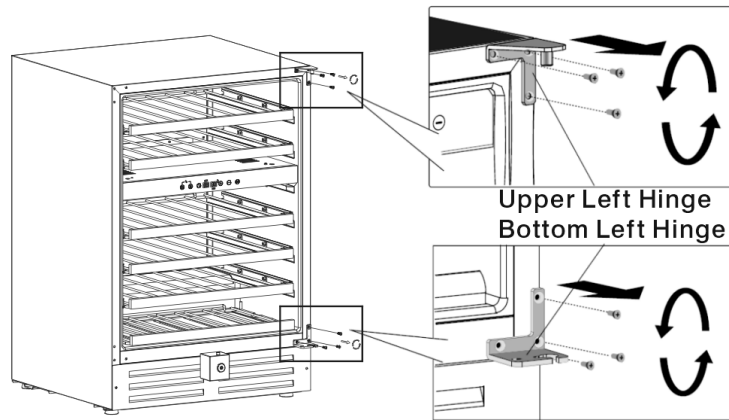


2. Remove the door off the upper hinge and take out the support rod.



3. Use a small flat head screwdriver to pry up the plastic cap on the top center (lock hole) of the door and insert into the bottom center hole.

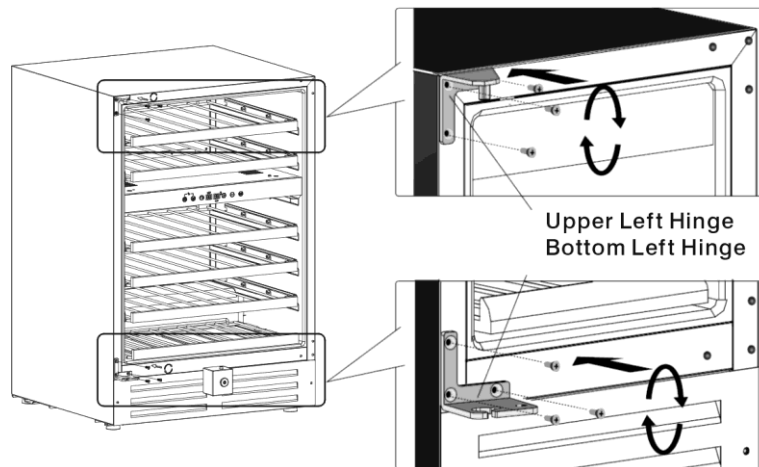
4. Unscrew the upper hinge and bottom hinge.



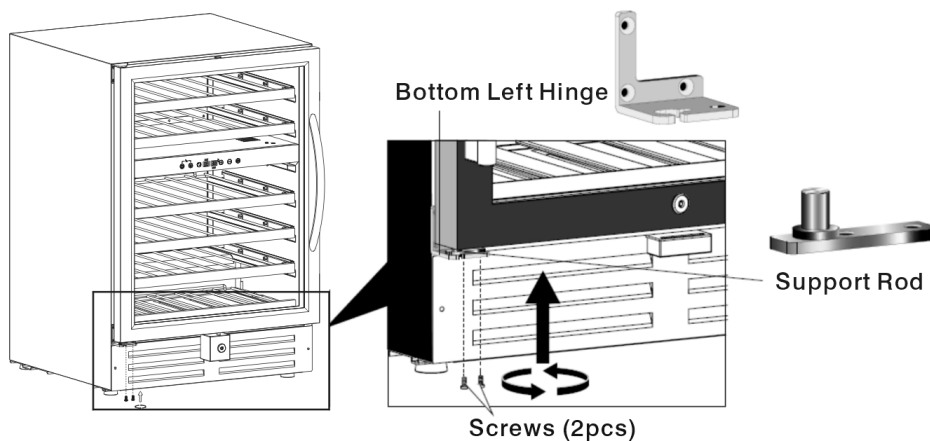
5. Pry out the plastic caps at the left side of the cabinet and move them to the right side.

6. Install the hinge set which are packed as accessories with the instruction manual to the opposite side.

**WINEENTHUSIAST**



7. Rotate the door 180° so that the top is now the bottom, and install it by attaching the support rod with screws.



## Instructions for Installing a Custom Panel

Your NFINITY Panel Ready Appliance is designed to accept a customer supplied custom wood panel. The easiest means to attach the panel is by removing the door, clamping the panel to the door and attaching with screws, then replacing the door onto the unit.

### 1. Frame Preparation

- For a Right Hinge opening appliance, cut the panel to the dimensions in the diagram below. Reverse for a left hinged opening appliance.

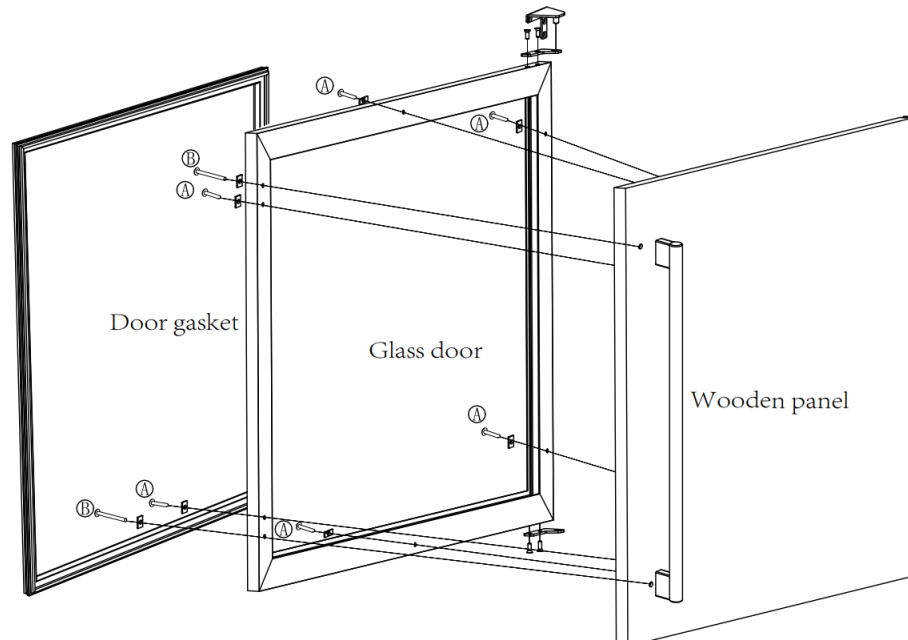
**WINEENTHUSIAST**



2. Remove the Door from the Appliance
  - Follow steps 1 and 2 (only) in the section above **Reversing the Door Swing**, save all the components.
  - Pull off the rubber door seal to expose the screw holes.
  
3. Installing a Custom Handle
  - If you are using your own custom handle, not supplied, then you should attach the handle to the custom panel using countersunk screws.
  - If you are using the handle provided proceed to the next step.
4. Clamp the Custom Panel to the Door Frame
  - Be sure to align the panel with the top of the door frame.
  - Center the panel along the width (side to side).
  
5. Attaching the Panel and Handle
  - It is best to drill ½" pilot holes before attaching the door, this will help to prevent the wood from splitting.

**NOTE: BE CAREFUL NOT TO DRILL THROUGH THE FRONT OF THE WOOD PANEL**

  - Fasten the wood panel (A) using the 6 washers and screws, screwing through the holes from the inside of the door through the gasket channel.
  - **NOTE: BEFORE YOU DRILL THE HOLES FOR THE HANDLE RE-CHECK THEIR LOCATION, REFER TO THE DIAGRAM BELOW.**
  - Drill the handle holes (ONLY) through the wood.
  - Attach the handle (B) using the long screws and washers provided.



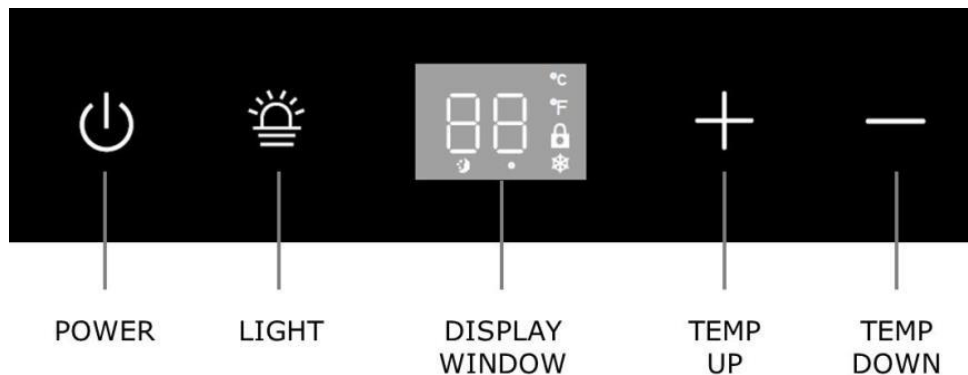
## 6. Re-Install the Door

- Remove all clamps from the door frame.
- Replace the door gasket into the channel, pressing very firmly to re-install, it might take some effort.
- Re-install the door onto the appliance following in reverse the procedures for step 2 then step 1 in the section Reversing the Door Swing.

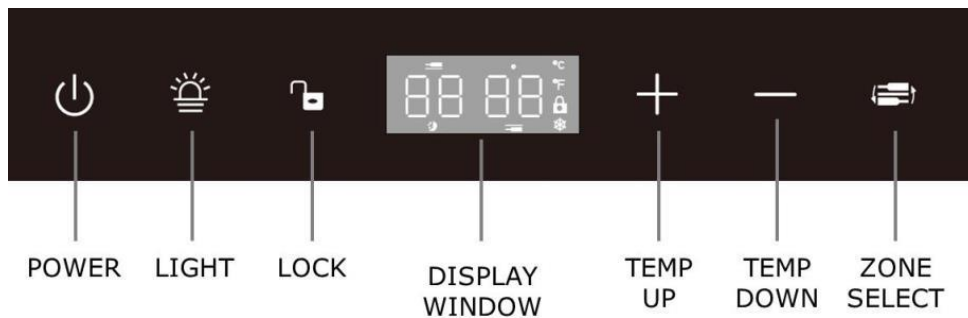
## Operating Your Appliance

Each appliance includes an operating panel on the front of the unit. This operating panel includes several features to operate and control the temperature.

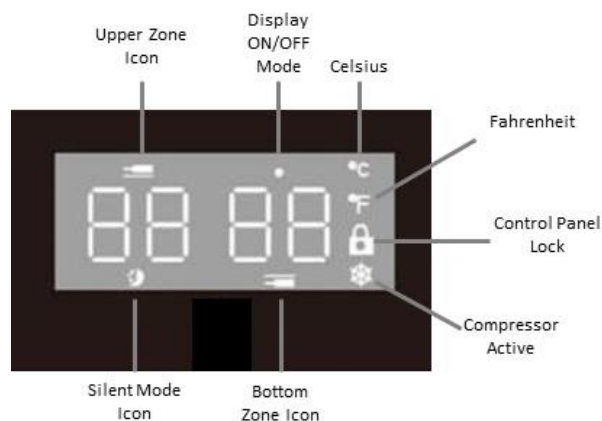
### Single Zone



### Dual Zone



### Display Icons



<b>Power:</b>	Turns the Appliance System ON and OFF (Hold for 3 sec.) Touch Lightly to Activate 'Sleep Mode'
<b>Lighting:</b>	Turns the Interior Light ON and OFF (3-Stage)
<b>Control Panel Lock:</b>	<b>Single Zone</b> – Press Both POWER AND LIGHT for 3 Seconds to Lock or Unlock the Control Panel  <b>Dual Zone</b> – Press the LOCK Icon for 3 Seconds to Lock or Unlock the Control Panel
<b>Display Window:</b>	Displays Set and Actual Temperature
<b>Temp. Up:</b>	Increases Set Temperature
<b>Temp. Down:</b>	Decreases Set Temperature
<b>Temp Up &amp; Down:</b>	Pressing Simultaneously when Controls are Locked Alters the Temperature Display to Fahrenheit or Celsius
<b>Zone Select:</b>	<b>Dual Zone Only</b> – Press to Select Upper Zone (Left digits) or Lower Zone (Right Digits) when Setting the Temperatures

## Control Panel Display

The control panel has a 'sleep mode' feature to hide the control buttons and display digits. Gently touching the POWER button will cause all the control buttons to darken (hide), then gently touching any of the controls will wake up and illuminate all of the buttons.



You also have the option of turning off the display temperature digits when the control panel goes to sleep, with the control panel locked, holding the LIGHT button for 3 seconds will cause the display temperature digits to darken (hide) in sleep mode. Holding the LIGHT icon again for 3 seconds will reverse this feature.

## Before You Start

The appliance should be placed in a location where the ambient temperature is between 60-80° Fahrenheit. If the ambient temperature is above or below this range, the performance of the unit may be affected. For example, placing your unit in extreme cold or hot conditions may cause interior temperatures to fluctuate.

## Setting the Temperature Control

NOTE: The temperature readout shows the actual cellar temperature, it will temporarily show the set temperature while making adjustments then reverts back after 5 seconds.

1. Make sure power cord is connected to a properly grounded outlet.
2. Turn power ON.
3. **Dual Zone Models:** Use the Zone Select button to select the Upper or Lower zone. **Upper zone must be set 4°F colder than lower zone.**
4. Set the desired temperature by pushing the Temp UP or DOWN button.
5. Temperatures increase or decrease 1°F with each push of the UP or DOWN button.

**NOTE:** Temperatures may fluctuate depending on whether the interior light is ON or OFF and depending on the position of the bottles.

## Lock or Unlock the Control Panel

To LOCK the control panel:

1. **Single Zone:** simultaneously press the POWER and LIGHT buttons for 3 seconds.  
**Dual Zone:** press and hold the LOCK button for 3 seconds.
2. The control panel will beep and the LOCK icon will illuminate

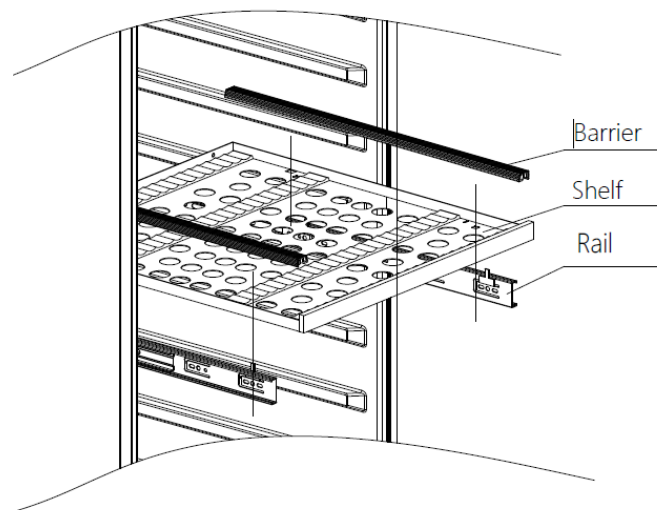
To UNLOCK the control panel:

1. Touch the control panel to wake it up from sleep mode
2. **Single Zone:** simultaneously press the POWER and LIGHT buttons for 3 seconds.  
**Dual Zone:** press and hold the LOCK button for 3 seconds.
3. The control panel will beep and the LOCK icon will darken

**WINEENTHUSIAST**

## Removing the Rolling Shelf

1. Remove all bottles.
2. Pull out the shelf as far as possible.
3. Hold one of the telescopic rails with one hand, with the other hand gently lift the front of the shelf from the front tab, then push backward to unlock from the rear hook.
4. Repeat with the other side



## Temperature Settings for Serving Wine

Although optimal storage temperature is generally regarded to be 53-57°F, different varietals of wine require different service temperature settings. The recommended temperature ranges for serving different varietals of wine are listed below. Your appliance will indicate when you have set the Upper/Lower zones to the below temperature ranges.

Red Wines:	60-66°F
White Wines	45-52°F
Sparkling Wines	40-45°F

# WINEENTHUSIAST®



## Interior Light

- To complement the look of your wine collection, 3 stage lighting has been built into the appliance. Simply push the "Light" button once (1X) for 100%, twice (2X) for 50% and thrice (3X) for OFF. For maximum energy efficiency, leave light off when not viewing your collection.

## Normal Operating Sounds You May Hear

- Boiling water, gurgling sounds or slight vibrations that are the result of the refrigerant circulating through the cooling coils.
- The thermostat control will click when it cycles on and off.

## Technical Data

<b>Model</b>	<b>Beverage Center</b>	<b>Single Zone</b>	<b>Dual Zone*</b>
<b>Installation</b>	<b>Free-Standing or Built-In</b>		
<b>Power</b>	<b>115V~60Hz</b>		
<b>Total Volume</b>	<b>5.12 Cu. Ft.</b>		
<b>Current</b>	<b>1.6A</b>		
<b>Start-Up Amps</b>	<b>7.3A</b>		
<b>Running Amps</b>	<b>1.6A</b>		
<b>Refrigerant</b>	<b>R600a – 0.88 oz.</b>		
<b>Protection Class</b>	<b>I</b>		
<b>Climate Class</b>	<b>T</b>		
<b>Ambient Temperature</b>	<b>60 - 80°F</b>		
<b>Temperature Control Range*</b>	<b>36°F to 68°F</b>	<b>41°F to 72°F</b>	<b>Upper Zone: 41°F to 54°F Lower Zone: 54°F to 66°F</b>
<b>Net Wt. LBS.</b>	<b>128</b>	<b>132</b>	<b>141</b>

\*Upper zone must be set 4°F colder than lower zone.

# WINEENTHUSIAST®

# Proper Appliance Care and Cleaning

## Cleaning and Maintenance

**Warning:** To avoid electric shock always unplug your appliance before cleaning. Ignoring this warning may result in death or injury.

**Caution:** Before using cleaning products, always read and follow manufacturer's instructions and warnings to avoid personal injury or product damage.

**General:**

- Prepare a cleaning solution of 3-4 tablespoons of baking soda mixed with 2 cups of warm water or use one part borax for ten parts water (about one cup per gallon). Use sponge or soft cloth, dampened with the cleaning solution, to wipe down your appliance.
- Rinse with clean warm water and dry with a soft cloth.
- Do not use harsh chemicals, abrasives, ammonia, chlorine bleach, concentrated detergents, solvents or metal scouring pads. Some of these chemicals may dissolve, damage and/or discolor your appliance.

## Mold on the interior

Microscopic mold spores are naturally occurring and present in the ambient air. When mold gets in your appliance it may grow within the humid environment. Removal can be completed with mild solutions of commonly available products such as Borax, vinegar, or baking soda.

## Door Gaskets:

- Clean door gaskets every three months according to general instructions. Gaskets must be kept clean and pliable to assure a proper seal.
- Petroleum jelly applied lightly on the hinge side of gaskets will keep the gasket pliable and assure a good seal.

## Power Interruptions

- Occasionally there may be power interruptions due to thunderstorms or other causes. Remove the power cord from AC outlet when a power outage occurs. When power has been restored, **wait 3 to 5 minutes** then re-plug the power cord to AC outlet.

## Vacation and Moving Care

- For long vacations or absences, unplug the appliance and clean the appliance and door gaskets according to "General cleaning" section. Leave doors open, so air can circulate inside.
  - Always move the appliance vertically. Do not move with the unit lying down, as possible damage to the sealed system could occur.
- Note:** After moving, wait for 24 hours before plugging in the appliance.

## Troubleshooting

Many common issues with your appliance can be easily solved. Try the troubleshooting tips below if you experience any problems.

### **Appliance Does Not Operate:**

- Check if appliance is plugged in.
- Check if there is power in the AC outlet, by checking the circuit breaker.

### **Wine appears too warm:**

- Frequent door openings.
- Allow time for recently added wine to reach desired temperature.
- Check gaskets for proper seal.
- Clean condenser coils.
- Adjust temperature control to colder setting.

**Wine temperature is too cold:**

- If temperature control setting is too cold, adjust to a warmer setting.

**Appliance runs too frequently:**

- This may be normal to maintain constant temperature during high temperature and humid days.
- Doors may have been opened frequently or for an extended period of time.
- Clean condenser coils.
- Check gasket for proper seal.
- Check to see if doors are completely closed.

**Moisture build-up on interior or exterior of the appliance:**

- This is normal during high humidity periods.
- Prolonged or frequent door openings.
- Check door gaskets for proper seal.

**Appliance door does not shut properly:**

- Level the appliance.
- Check for blockages e.g. wine bottles, shelves.

# Limited Warranty

## This Warranty Covers Appliances Within The Continental United States Only.

**Length of Warranty:** This Limited Warranty lasts for one (1) year from date of receipt of purchase of the appliance ("Limited Warranty Period") and the sealed system (compressor, condenser, evaporator) will be covered for three (3) years. Extended warranties may be available for an additional cost at the time of purchase or up to 30 days from date of purchase. These extended warranties would extend this one (1) year limited warranty to two (2), three (3), or five (5) years. Details about our extended protection plans can be found @ [wineenthusiast.com](http://wineenthusiast.com).

**Who is Protected:** This Limited Warranty protects the original purchaser during the Limited Warranty Period, provided that such purchaser can present appropriate proof of original purchase.

**What is Covered:** This Limited Warranty covers any defects in workmanship or materials in your new appliance under normal use.

**What is Not Covered:** The following are not covered by this Limited Warranty damage due to such things as accident, misuse, abuse, mishandling, neglect, unauthorized repair, failure to properly maintain, acts of God or any other cause beyond the reasonable control of the Wine Enthusiast whether similar or dissimilar to the foregoing.

Commercial use or use other than normal household or small office.

Purchaser understands and acknowledges that the appliance is a wine refrigerator, which houses wine. Purchaser assumes all the risk of using these units, including risk of spoilage, humidity variations, temperature variations, leaks, fires, water damage, mold, mildew, dryness and similar perils that may occur.

**What We Will Do:** During the Limited Warranty Period, Wine Enthusiast and/or the manufacturer will, at its sole discretion, repair or replace any appliance not operating within the manufacturer's specifications. All costs for labor and materials thereto shall be covered during the Limited Warranty Period. If Wine Enthusiast deems the appliance is not repairable, Wine Enthusiast will use the value of your original order toward a replacement; provided, however, that the purchaser will be responsible for all shipping and handling costs with respect to the replacement after the

# WINEENTHUSIAST®

initial ninety (90) days after the date of receipt of original purchase. ***After the initial ninety (90) day period after the date of receipt of purchase, purchaser must pay any shipping and handling charges that are incurred in shipping or transporting the appliance for service under this Limited Warranty.*** Wine Enthusiast reserves the right to substitute materials of substantially similar quality in the event that identical materials are not available at the time the Limited Warranty services are performed. Wine Enthusiast reserves the right to request that purchaser contact a local refrigeration company to service the appliance.

**How to get Warranty Service:** In the event your appliance is not operating within the manufacturer's specifications, during the Warranty Period, contact customer service by email at [custserv@WineEnthusiast.net](mailto:custserv@WineEnthusiast.net) or by phone 800.648.6058.

**Limitation of Implied Warranties:** All implied warranties, including warranties of merchantability and fitness for a particular purpose, are limited in duration to the length of this Limited Warranty.

**Exclusion of Certain Damages:** Wine Enthusiast's liability is limited to replacement or repair of the defective appliance. Wine Enthusiast shall not be liable for any damages, whether incidental, consequential or otherwise, because of any defective appliance.

**How State Law Applies:** Some states do not allow limitations on how long an implied warranty lasts and/or do not allow the exclusion of incidental or consequential damages, so the above limitations and exclusions may not apply to you. The Limited Warranty gives you specific legal rights, and you may also have other rights which vary from state to state.

**Wine Enthusiast**  
**Valhalla, NY 10595**

August 2022 V1

**WINEENTHUSIAST®**